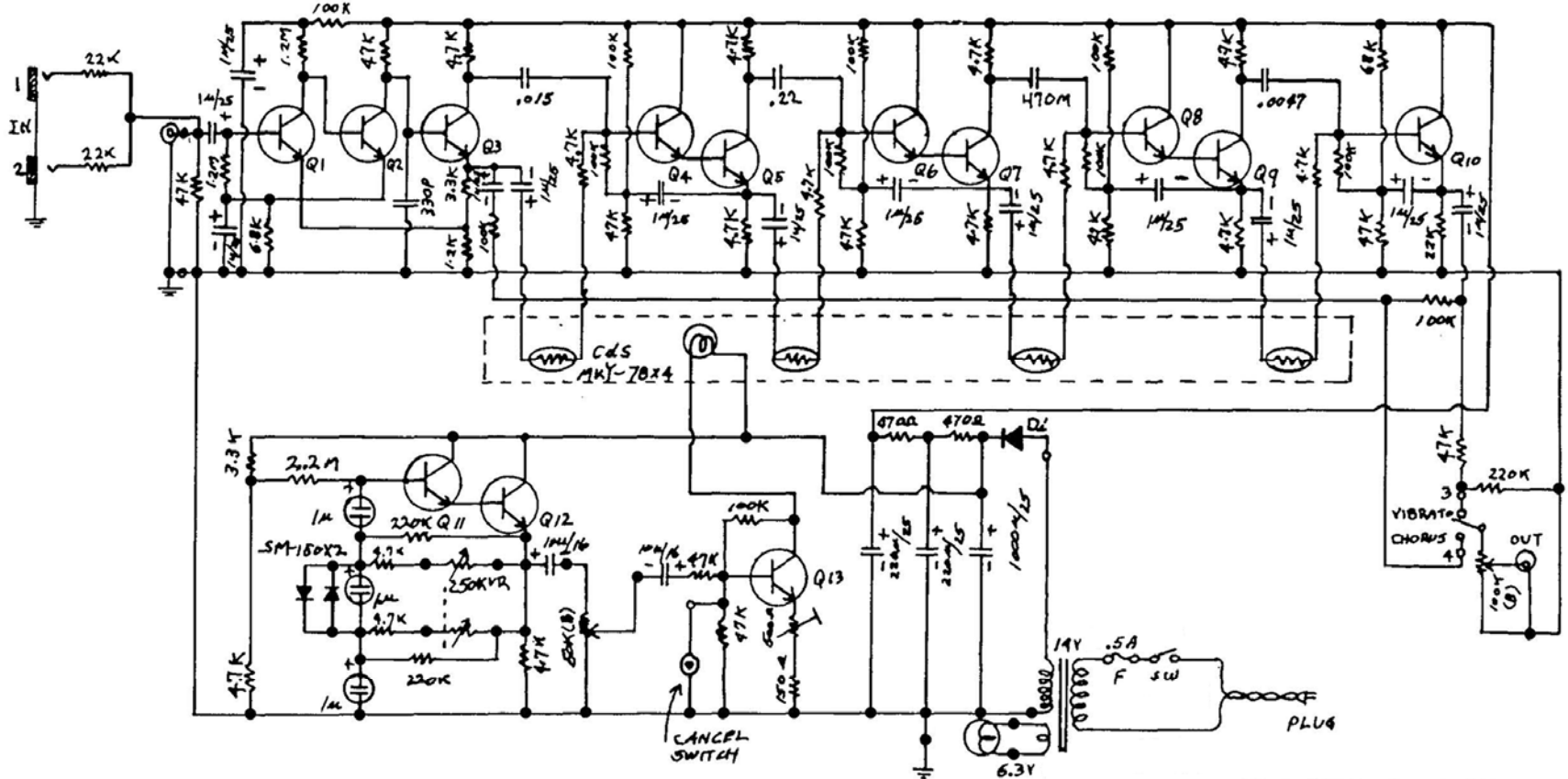




# Schematic Diagram



ALL TRANSISTOR 2SC128  
EXCEPT Q1 = 25C 539