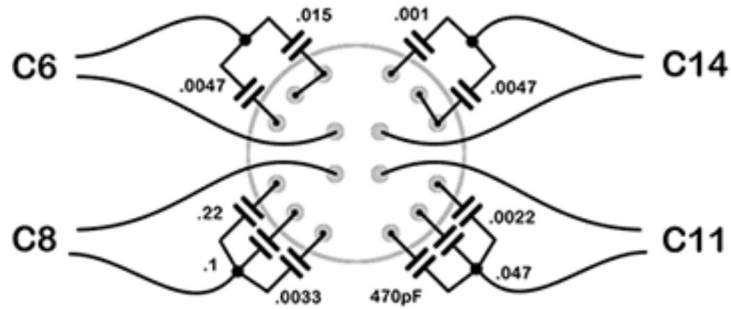


THE Forum-Vibe PROJECT

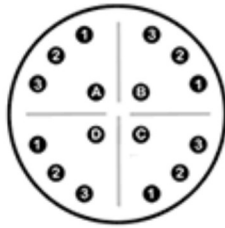
By: Brad Burt - (aka; RedHouse)

RedHouse Multi-Vibe mod

This is my *Multi-Vibe* mod (a fuzzy old re-print from 2005), I add a 4P3T switch that allows switching the phase capacitors to get *other* vibe sounds out of the same build.



Wire capacitors to back of switch



Rear of Lorlin type switch

SOUND	C6	C8	C11	C14
<i>Uni-Vibe</i>	.015	.22	470pF	.0047
<i>Voodoo-Vibe</i>	.015	.1	.047	.0047
<i>Resly Tone</i>	.0047	.0033	.0022	.001

RedHouse Multi-Vibe mod

Capacitors are soldered to the back of the switch, then the flying leads (shown above) connect each switch section back to where each original capacitor was on the PCB.