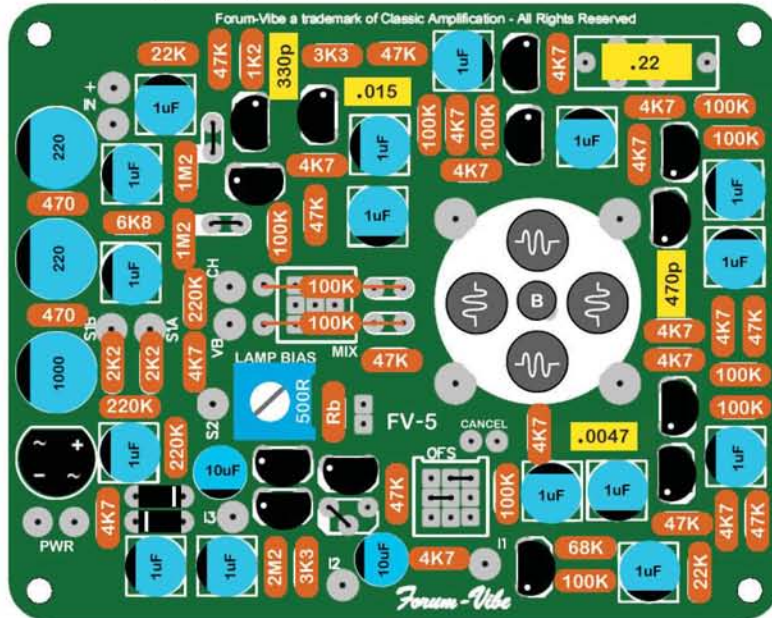


Forum-Vibe FV-5 Board

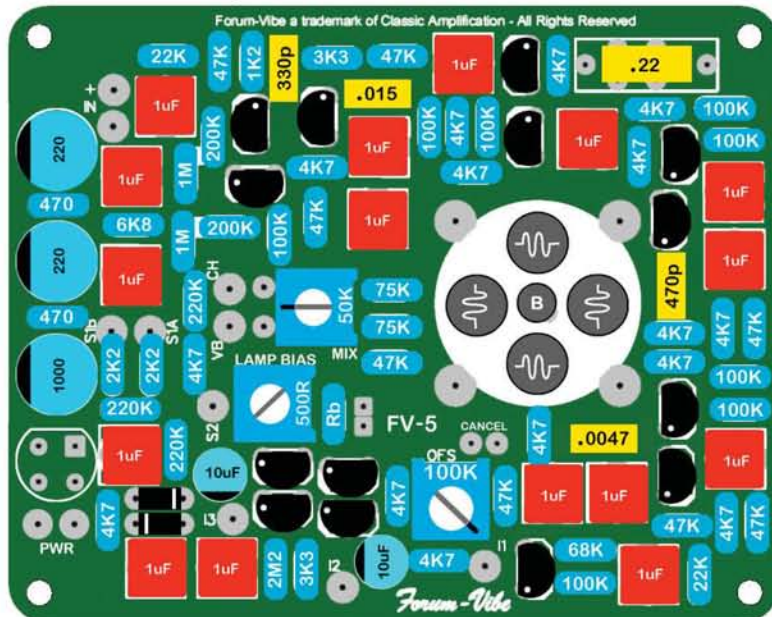
Part Values

“Vintage” style build with BC transistors



(showing bridge rectifier for AC powered build)

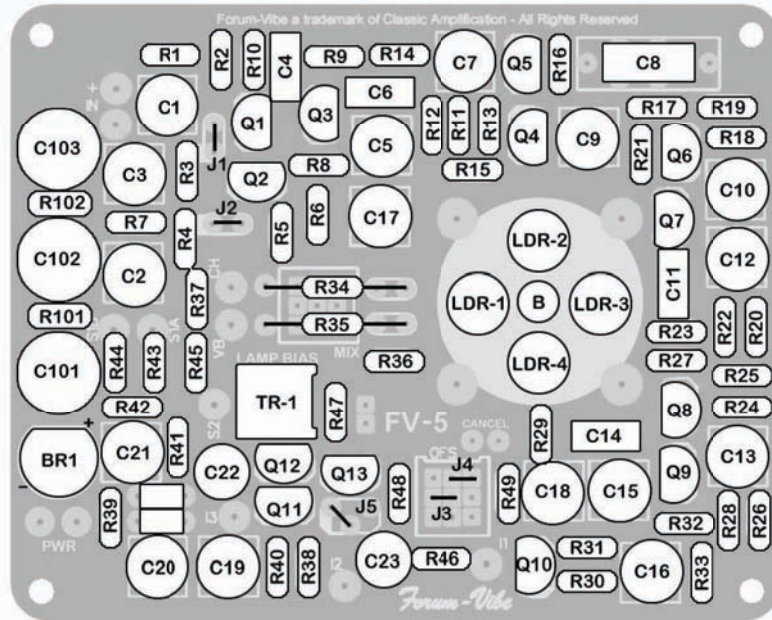
Modder style build with BC transistors



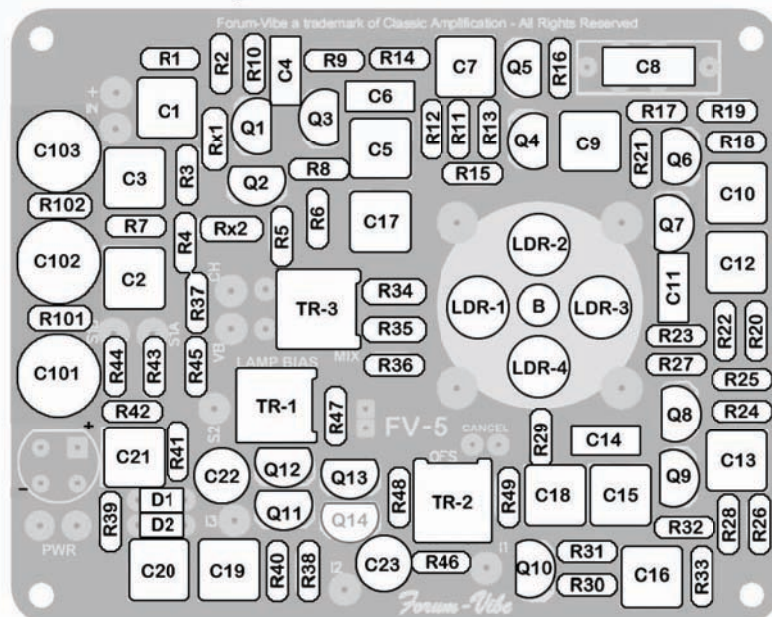
Forum-Vibe FV-5 Board

Part Numbers

“Vintage” style build with BC transistors

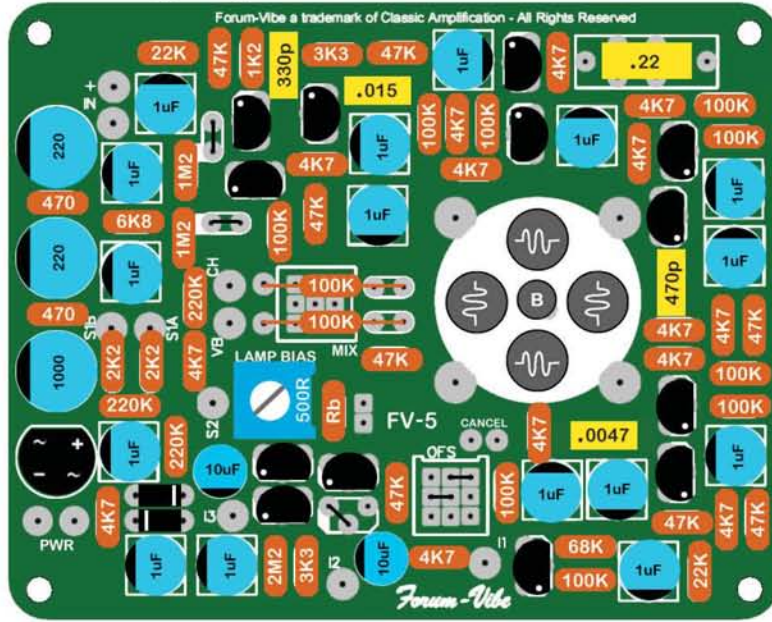


Modder style build with BC transistors

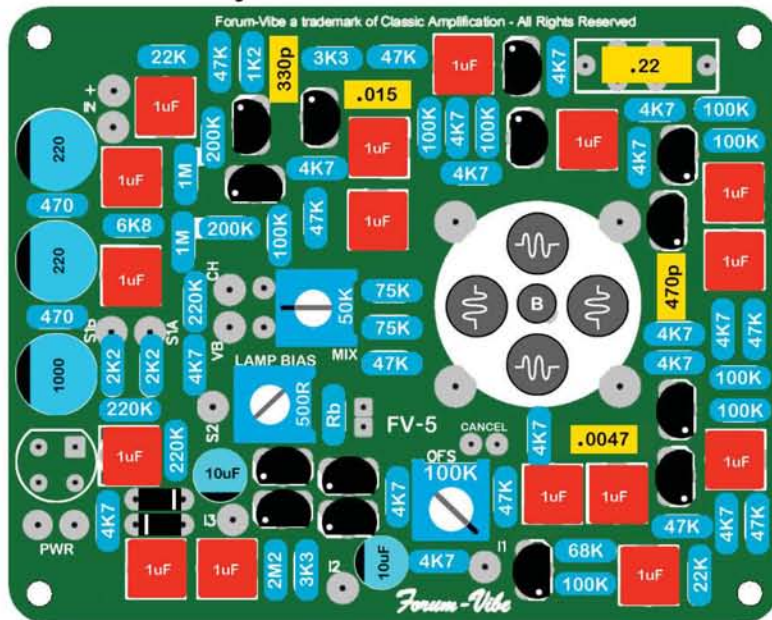


Forum-Vibe FV-5 Board

Vintage style build with 2N transistors



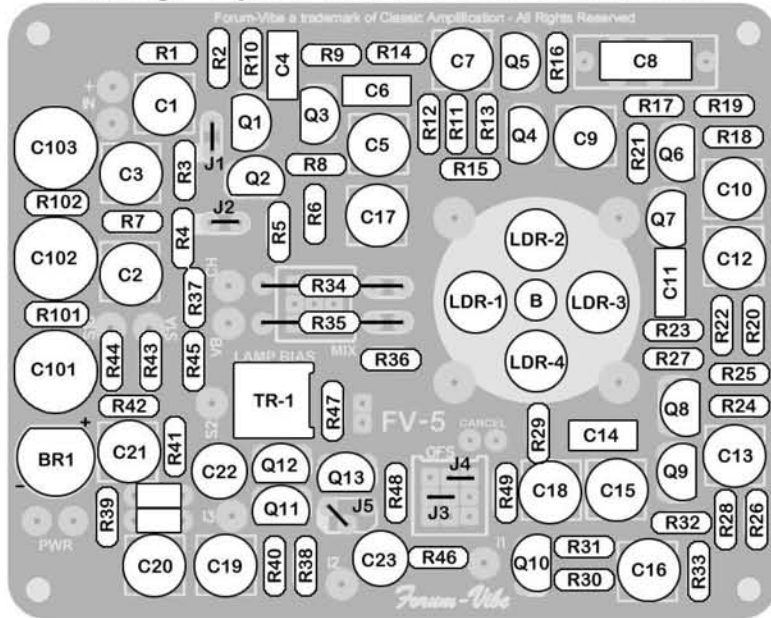
Modder style build with 2N transistors



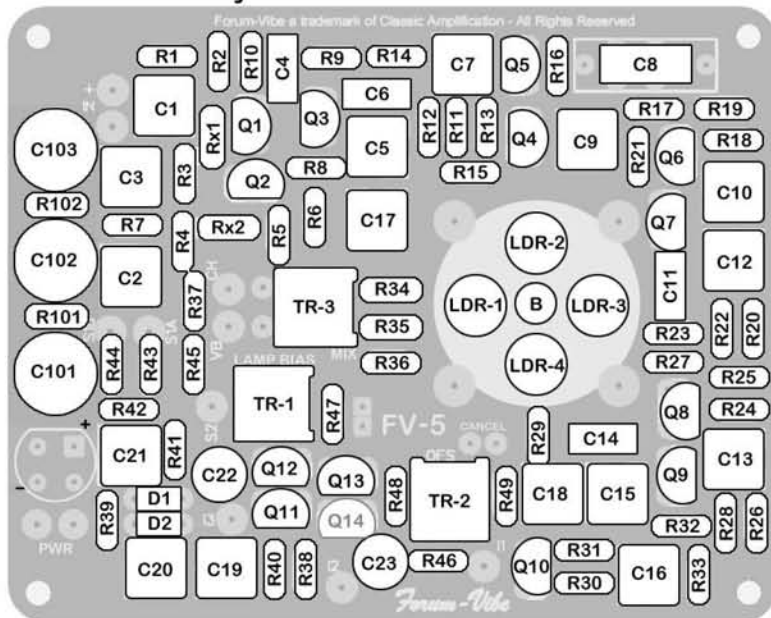
Forum-Vibe FV-5 Board

Part Numbers

Vintage style build with 2N transistors



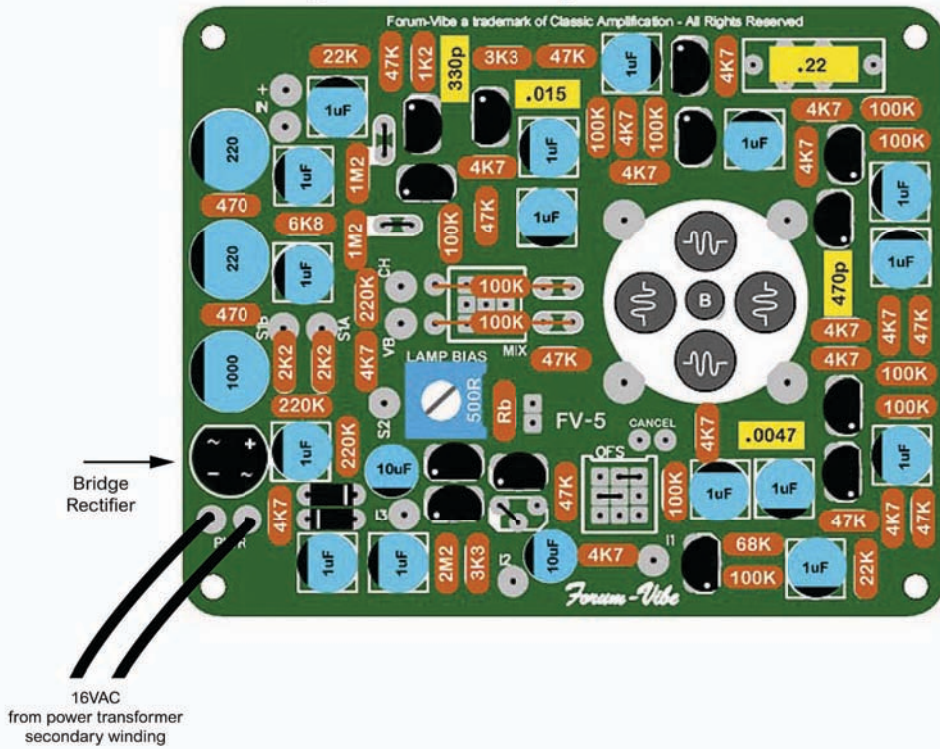
Modder style build with 2N transistors



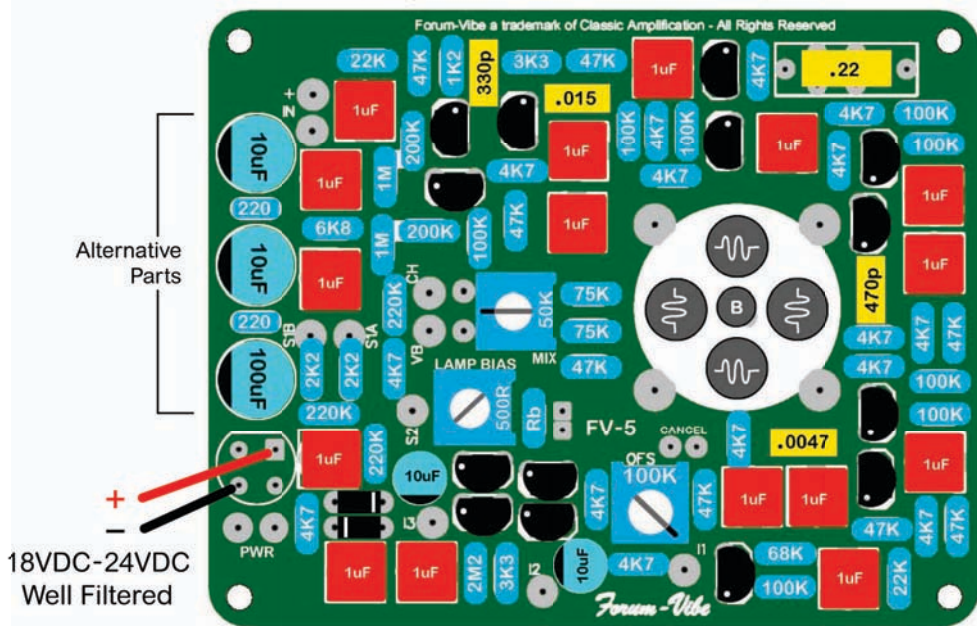
Forum-Vibe FV-5 Board

Power Options

Using 16VAC secondary Mains Transformer

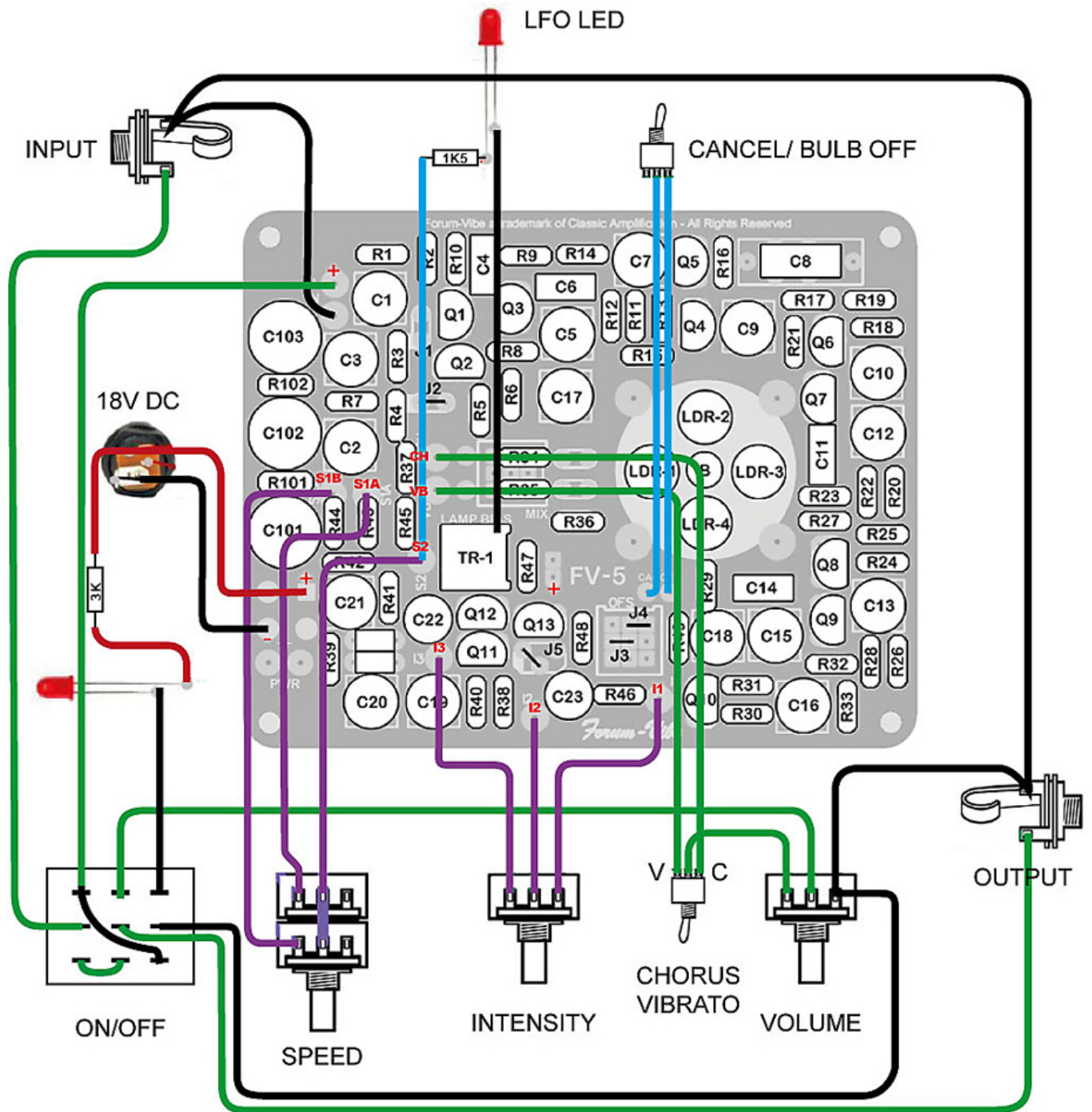


Using a well filtered DC power pack

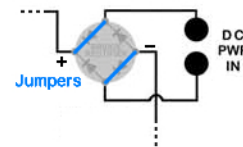
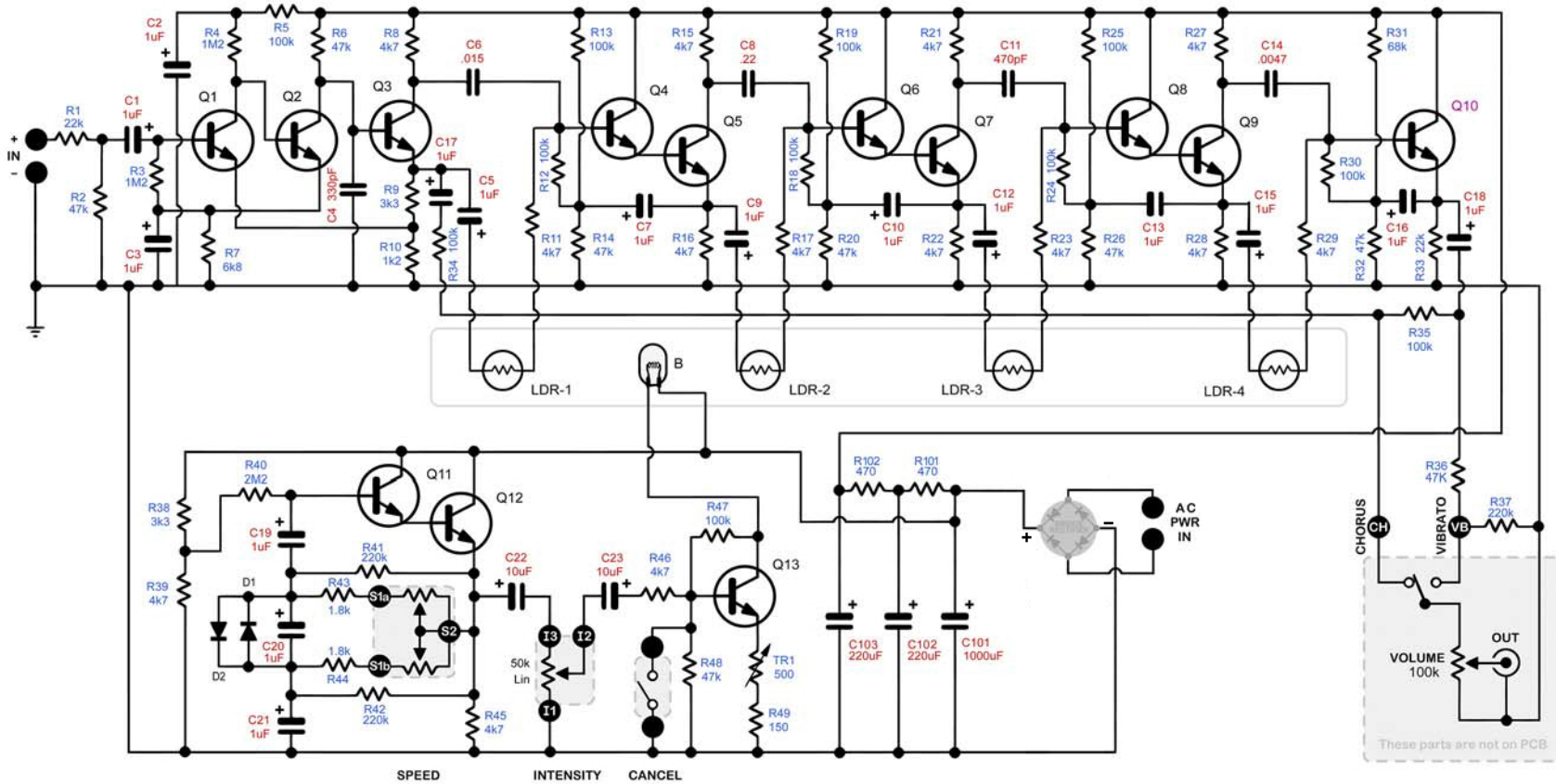


WIRING DIAGRAM

(source: https://musikding.de/docs/web/wire_04.jpg)



THE Forum-Vibe PROJECT



FV-5 SCHEMATIC DIAGRAM
(Vintage Build Shown)

NOTE: Capacitors C101, C102, and C103 should be compact types such as Nichicon VK or VR series which are 10mm X 12mm size. If C101 is too large size, you can substitute 470uF for C101

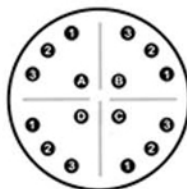
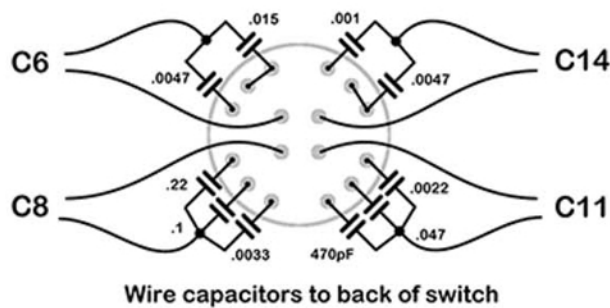
THE Forum-Vibe PROJECT

By: Brad Burt - RedHouse

RedHouse Multi-Vibe mod

This is my *Multi-Vibe* mod (2005) done by adding a 4P3T switch to allow one to switch the phase capacitors so you can get other vibe sounds out of the same build.

The switch shown here is a 4P3T Lorlin rotary switch, set up with the different cap values to get three different vibe sounds. Position-1 gets the standard **Uni-Vibe** sound, Position-2 gets the **Voodoo Vibe** sound, and Position-3 gets the **Resley Tone** sound which is quite different but also cool. Note that this is not used for live (in-song) switching, the capacitors cause a "pop" sound when switching so you have to either like the popping, or switch in between songs on mute/standby.



Rear of Lorlin type switch

SOUND	C6	C8	C11	C14
<i>Uni-Vibe</i>	.015	.22	470pF	.0047
<i>Voodoo-Vibe</i>	.015	.1	.047	.0047
<i>Resly Tone</i>	.0047	.0033	.0022	.001

Capacitors are soldered to the back of the switch and leads connect each section back to where each original capacitor was on the board.