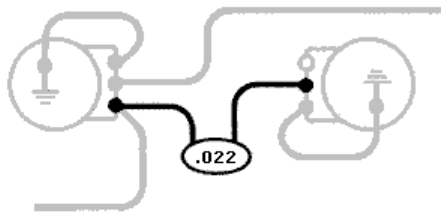
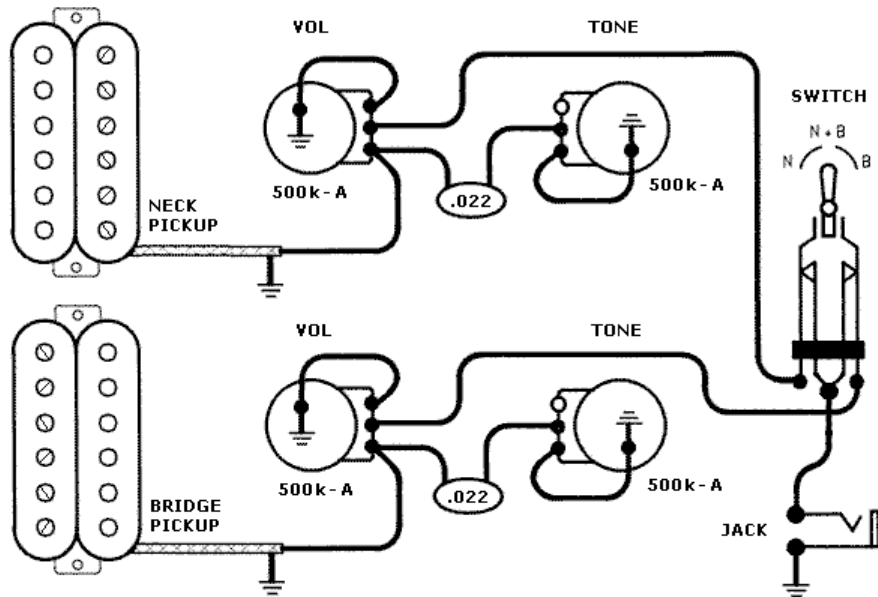
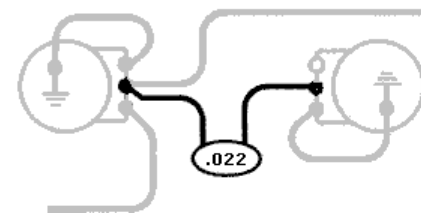
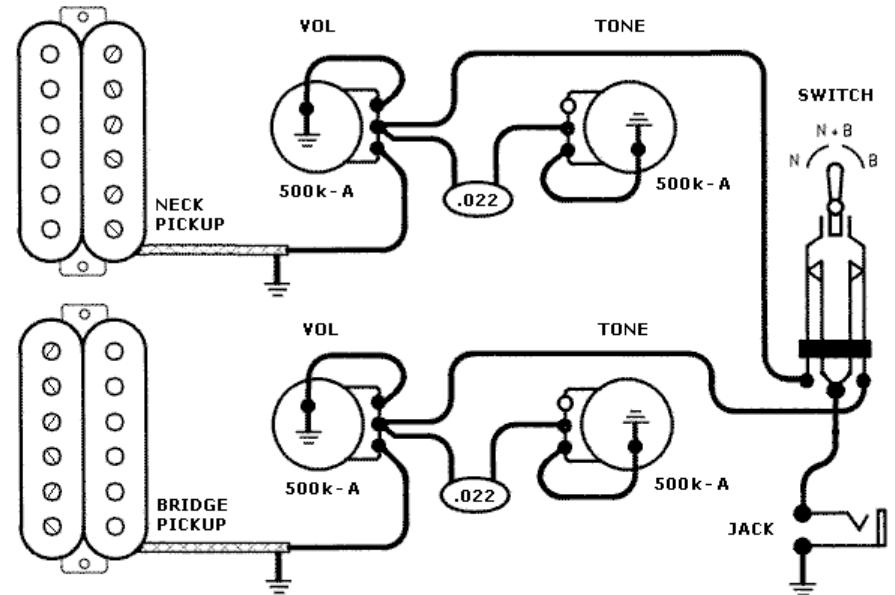


## Gibson Dual Humbucking Modern Wiring



*This modern Gibson wiring can suffer from losing too much treble when running at lower volume settings.*

## Gibson Dual Humbucking 50's Wiring



*I prefer this wiring, it can sound better at all volume positions more clear and balanced. Some folks can't tell any difference.*