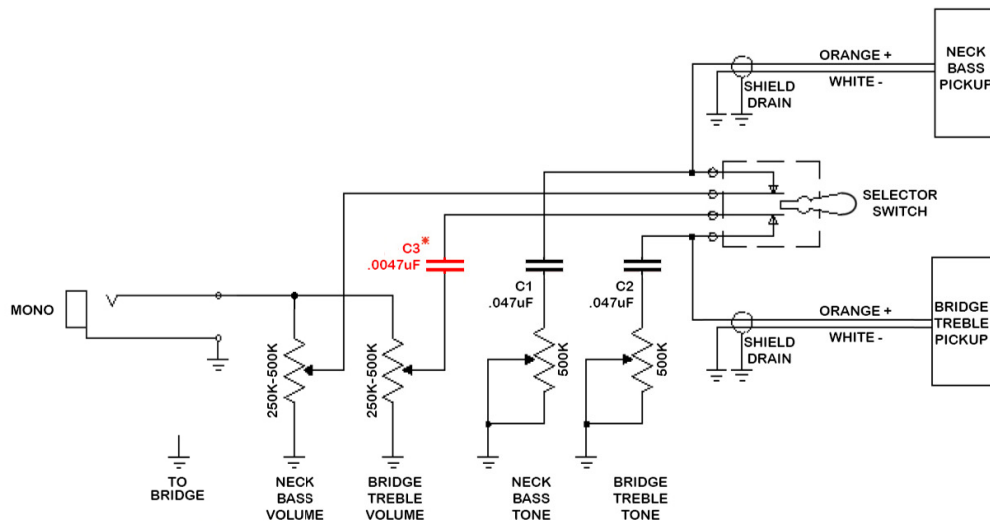


# Hookup Diagram

Instrument wired MONO

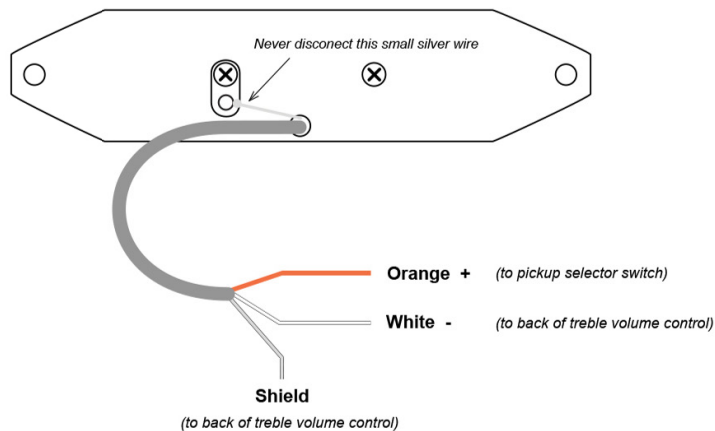


\* If capacitor C3 is present in your instrument wiring it will greatly reduce the output volume of the TREBLE pickup.

Many prefer to jumper or remove this capacitor



**Classic Rick Pickups**



ORANGE wire is normally the HOT (+) wire  
 WHITE wire is normally the NEUTRAL (-) wire which goes to ground  
 SILVER wire (*Drain*) always goes to GROUND on the instrument

The ORANGE and WHITE wires are provided separately in case you desire to use a phase switch, or if you find your pickups are out-of-phase.



**Classic Rick Pickups**